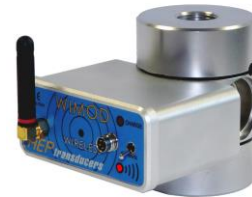


www.aep.it *Wireless* Dynamometers

Measuring WEIGHT in a flexible way.



TC4-WIMOD

from 500kg to 500t

C2S-WIMOD

from 100kg to 200t

TCE-WIMOD

from 350kg to 20t



The **Wireless** digital crane scales are proposed as tools for a completely independent measurement of weight, to be applied on mobile platforms, lifting jacks, and displacement hydraulic cylinders or placed directly under an artifacts support points that has to be weighted.

Their flexibility combined to a high transmission distance measurement (over **100m**) make these tools widely used in various industrial activities where is needed to check the weights of machinery, special equipments, containers, industrial components, manufactures, boats, helicopters, airplanes in general etc ...

The dynamometer consists of a load cell made entirely of stainless steel, type TC4, C2S or TCE coupled to a **WIMOD** transmitter powered by an internal rechargeable battery which ensures high battery life of approx 1000 hours without recharge.

Load cells can cover a large measuring range starting from **100kg** to **500t** with accuracy within 0.05% of full scale.

The models TC4 and TCE can work both in **TENSION** and **COMPRESSION** and are suitable to be attached directly to the jacks, while the C2S model has a low profile that works exclusively in **COMPRESSION** and is applied directly under the support points of the artifacts to perform a direct measurement.

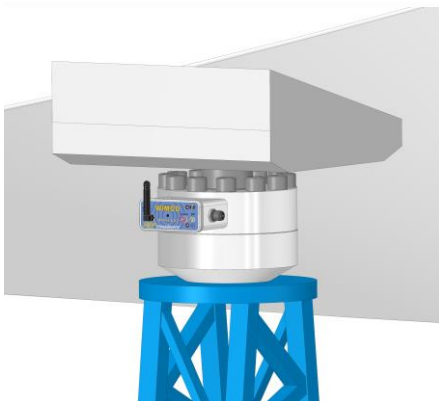
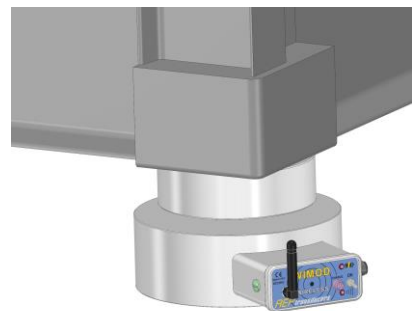
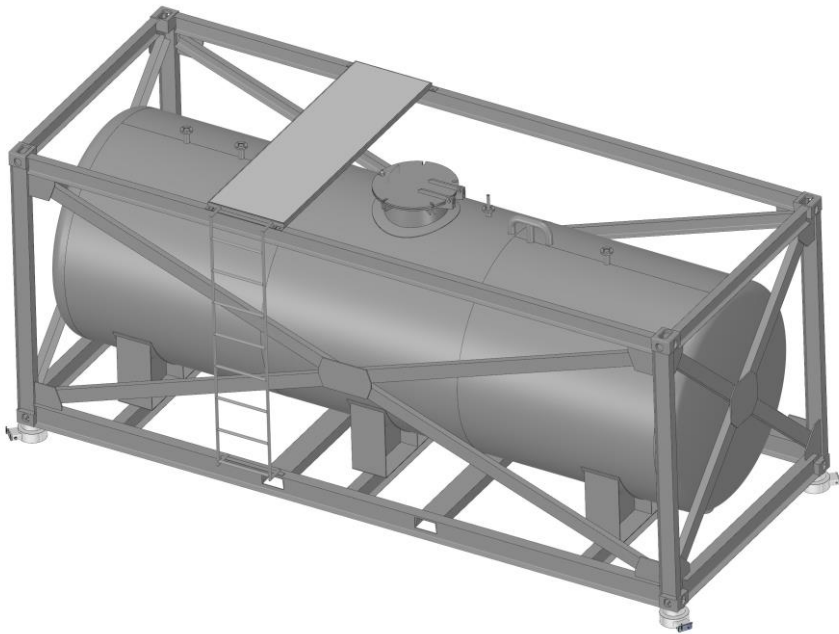


The **WISTAR** is a handheld professional indicator that can be used to read the measurements transmitted.

The indicator is equipped with rechargeable battery that allows to display the weight of 1, 2, 3, 4 dynamometers at the same time having different models and capacities, and it is finally possible to view the **TOTAL** weight (the sum of 2, 3 or 4 dynamometers). In addition to the following traditional functions such as ZERO, HOLD and PEAK, it is possible to store (by pressing the REC button) measurements in the Data Logger internal memory. Once the measuring activity is finished it is possible to download all items stored on the PC with the recording date and time. The instrument is provided with an aluminum case and an USB port to be easily connected to PC.

Application fields:

Measuring systems composed by 4 dynamometers.



MAIN FEATURES:

TYPE	TC4 - WIMOD							
NOMINAL LOAD	500kg	1t	2,5t	5t	10-20-30t	50- 75t	100-200t	300-500t
RESOLUTIONS	0.1kg	0.2kg	0.5kg	1kg	2kg	5kg	10kg	20kg
ACCURACY CLASS	≤±0.05% F.S.							
LOAD LIMIT	150% F.S.							
COEFFICIENT OF SECURITY	> 3							

TYPE	C2S – WIMOD								
NOMINAL LOAD	100kg	250kg	500kg	1t	2,5t	5t	10-20-30t	50-75t	100-200t
RESOLUTIONS	0.05kg	0.05kg	0.1kg	0.2kg	0.5kg	1kg	2kg	5kg	10kg
ACCURACY CLASS	≤±0.05% F.S.								
LOAD LIMIT	150% F.S.								
COEFFICIENT OF SECURITY	> 3								

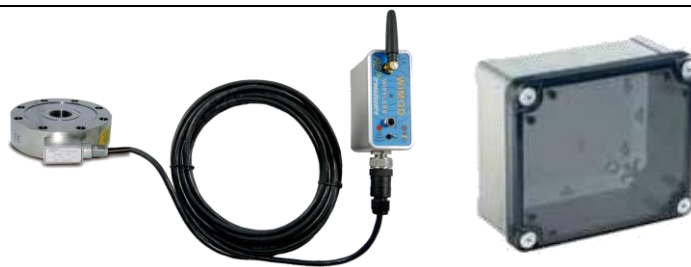
TYPE	TCE - WIMOD					
NOMINAL LOAD	350kg	500kg	1t	2,5t	5 - 7,5t	10 - 20t
RESOLUTIONS	0.05kg	0.1kg	0.2kg	0.5kg	1kg	2kg
ACCURACY CLASS	≤±0.05% F.S.					
LOAD LIMIT	150% F.S.					
COEFFICIENT OF SECURITY	> 3					

WORKING TEMPERATURE	-10/+50 °C
READINGS PER SECOND	programmable from 1 to 10
WIMOD case execution	Aluminum
DYNAMOMETER case execution	Stainless Steel
Max DISTANCE	over 100 m (in free area)
PROTECTION CLASS	(EN 60529) IP65

In case of an EXTERNAL APPLICATIONS, where is needed an **IP67** protection or even higher, it is recommended to use the standard load cell with a direct cable output (IP67 or IP68) and then to mount a WIMOD transmitter inside a hermetic box IP67.



This box **MUST** be **PLASTIC** made, to doesn't affect the Wireless transmission.



For more information see the data sheet for the following components on the site www.aep.it
WIMOD – WISTAR - TC4 - C2S – TCE

AEP transducers



Dasa-Rägister
EN ISO 9001:2015
IQ-1100-01



LAT N° 093
Calibration Centre
The products are NOT covered by accreditation



Production Quality Assurance Certified n° TÜV CY 17 ATEX 0205891 Q

41126 Cognento (MODENA) Italy Via Bottego 33/A Tel: +39-(0)59-346441 Fax: +39-(0)59-346437 E-mail: aep@aep.it

Al fine di migliorare le prestazioni tecniche del prodotto, la società si riserva di apportare variazioni senza preavviso.
In order to improve the technical performances of the product, the company reserves the right to make any change without notice.