

COVER on request



Smart

LCD DISPLAY

Batteries INCLUDED
Battery

IP65

CE RoHS

ACCREDIA
L'ENTE ITALIANO DI ACCREDITAMENTO

LAT N° 093

Calibration Centre
The products are NOT
covered by accreditationCertificato di Taratura ACCREDIA
A RICHIESTAACCREDIA Calibration Certificate
ON REQUESTLinearità - Isteresi
≤ ± 0.50%
Linearity - HysteresisMisura della temperatura del fluido
50°C
Measurement of fluid temperature

PGE digital gauge series is proposed as a cheaper version but guarantees all the functional characteristics with a precision class exceeding 0,50%.

Its main applications are in industrial fields where it is necessary to check processes as well as first-line-sample to the periodic control of other pressure testers.

To increase the practicality and make the instrument completely autonomous, the pressure gauge is powered by internal batteries providing 1 year battery life.

In the programming menu, reachable through the keyboard it is possible to adjust different functions such as: digital filter that allows to maintain the measurement steady even in presence of unsteady pressures, the display resolution which allows to increase the measurement at fixed steps (2, 5, 10) the measurement unit which can be changed into mbar, kPa, MPa and psi.

The sensor, entirely made in stainless steel is monolithic to ensure a long term high stability even in presence of highly dynamic pressures.

Main features:

- NORMALIZED PRESSURE FROM **1 bar TO 3000 bar**
- MEASURES FLUID **PRESSURE** and **TEMPERATURE**
- ~ 1 YEAR AUTONOMY WITHOUT RECHARGING
- PROGRAMMABLE RESOLUTION, DIGITAL FILTER and BAUD RATE
- ZERO and PEAK (Active in PRESSURE and VACUUM) functions
- ANALOG PRESSURE INDICATION ALWAYS ACTIVE (Bar Graph)
- EXTERNAL POWER SUPPLY (optional)
- RS232 OUTPUT (optional)
- BUILT-IN CASE (optional)
- **VACUUM** CALIBRATION (optional)

Main characteristics:

ACCURACY (linearity and hysteresis)	$\leq \pm 0,50 \% \text{ F.S.}$
RELATIVE PRESSURE (R) Zero at atmospheric pressure	1 – 2,5 – 5 – 10 – 20 – 50 – 100 bar 250-350 – 500 – 700 bar 1000 – 1500 – 2000 - 2500 – 3000 bar
RELATIVE VACUUM (V) Zero at atmospheric pressure	-1 ... 1 bar -1 ... 2,5 bar -1 ... 5 bar -1 ... 10 bar -1 ... 20 bar
PRESSURE UNITS TEMPERATURE UNIT	bar – mbar – psi – Mpa – kPa °C
TEMPERATURE INDICATION	
a) Resolution	0,1 °C
b) Accuracy	$\pm 1 \text{ °C}$
OPERATING TEMPERATURE STORAGE TEMPERATURE RELATIVE HUMIDITY	0 ... +50 °C -10 ... +60 °C < 90 % not condensed
TEMPERATURE EFFECT (1 ° C)	
a) on zero	$\leq \pm 0,002 \%$
b) on sensitivity	$\leq \pm 0,002 \%$
INTERNAL RESOLUTION READINGS PER SECOND (0 filter) DIGITAL FILTER PROGRAMMABLE RESOLUTION PROGRAMMABLE ZERO FUNCTION PEAK FUNCTION BAUD RATE PROGRAMMABLE RS232C CONNECTION (option)	16 bit 10 (100ms) 0 ... 99 1, 2, 5, 10 Active up to 50% F.S. Active in PRESSURE and VACUUM 19200, 9600, 4800 DB9 female connector
DISPLAY	16 mm (custom LCD)
POWER SUPPLY AUTONOMY BATTERY	NOT RECHARGEABLE inside BATTERY ~ 1 YEAR n° 2 to 1,5V size AAA
MECHANICAL LIMIT VALUES:	
a) service pressure	100% F.S.
b) limit pressure	150% F.S.
c) breaking pressure	>300% F.S.
d) highly dynamic pressure	75% F.S.
PROCESS COUPLING SEAL RECOMMENDED	1/2" G Male USIT A 63-18
TIGHTENING WRENCH TIGHTENING TORQUE	27 mm 28 Nm
PROTECTION CLASS (EN 60529) SENSOR EXECUTION MATERIAL CASE EXECUTION MATERIAL	IP40 INOX 17-4 PH ALUMINUM

Included Accessories:

Operating Manual.

Nr. 2 mordant cones for high-pressure from 1000 bar to 3000 bar pressure gauges.

**Optionals:**

BUILT-IN CASE in FIBER GLASS REINFORCED TECHNICAL POLYMER

Hole gauge 83 x 83 mm.

Code: **TCINC**



WARNING: Protection class IP65 front panel.



EXTERNAL POWER 12Vdc without batteries.

Code: **OPZALIMEST**

EXTERNAL POWER SUPPLY from 220V to 12Vdc.

Code: **TALDMM**



WARNING: Protection class IP40.



SERIAL OUTPUT RS232C.

Cable RS232. code: **TCAVOSERIALE**

USB adapter. code: **CAVO-RS232-USB**



WARNING: Protection class IP40.

**Accessories:** (purchased separately)

Shock-resistant silicon COVER.

Code: **TCOVQ**



Carrying case.

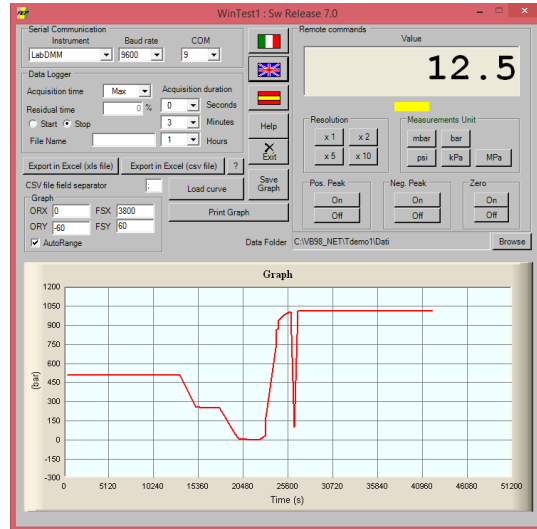


WinTEST1

Quick analyzer

Quick analyzer Light

Software that works directly with the pressure gauge and supports the operator in the various test functions like, analysis, over time monitoring, data storage, management, transferring data to Microsoft Excel and so on.



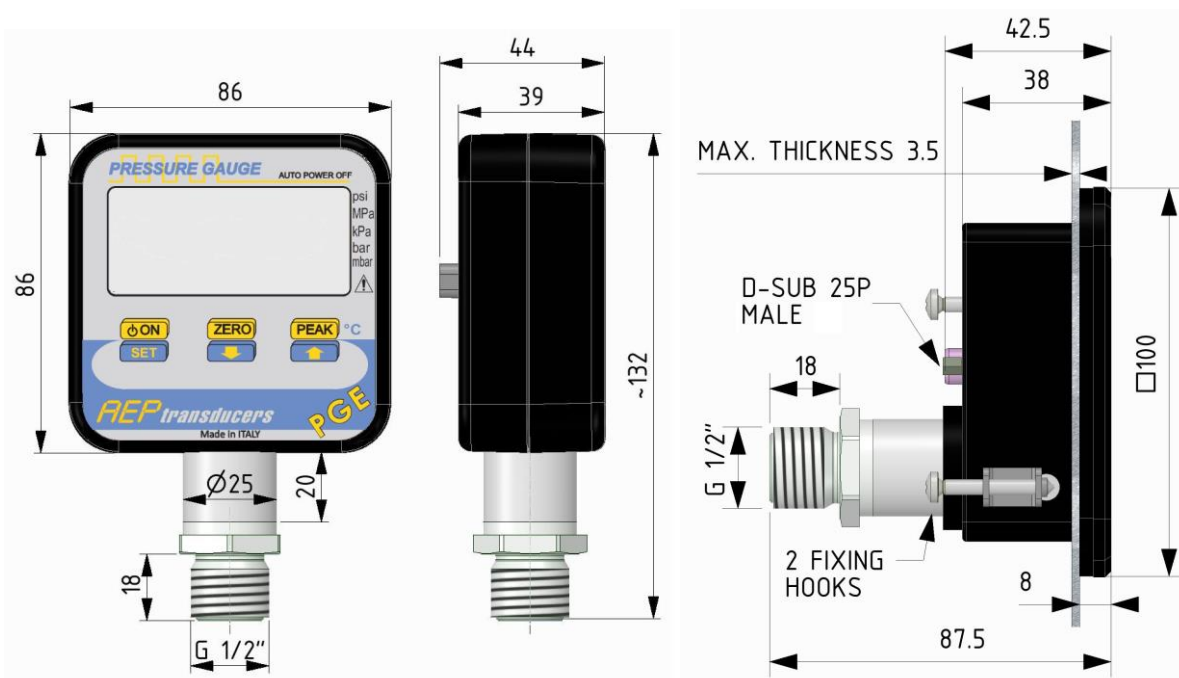
Calibration Report.

Codice: **TRM**

ACCREDIA certificate.



Dimensions (mm):



STANDARD indications:

TYPE ⁽¹⁾	Full Scale	Display	Resolution	Display	Resolution	Display	Resolution	Display	Resolution
	bar	bar	bar	mbar	mbar	psi	psi	MPa	MPa
RV	0,1	0,1000	0,0001	100,0	0,1	1,450	0,002	0,0100	0,0001
RV	0,25	0,2500	0,0001	250,0	0,1	3,620	0,002	0,0250	0,0001
RV	0,5	0,5000	0,0001	500,0	0,1	7,200	0,002	0,0500	0,0001
RV	1,0	1,000	0,001	1000	1	14,50	0,02	0,1000	0,0001
RV	2,5	2,500	0,001	2500	1	36,20	0,02	0,2500	0,0001
RV	5	5,000	0,001	5000	1	72,50	0,02	0,5000	0,0001
RV	10	10,00	0,01	10000	10	145,0	0,2	1,000	0,001
RV	20	20,00	0,01	20000	10	290,0	0,2	2,000	0,001
R	50	50,00	0,01	50000	10	725,0	0,2	5,000	0,001
R	100	100,0	0,1	99900	100	1450	2	10,00	0,01
R	250	250,0	0,1	99900	100	3620	2	25,00	0,01
R	350	350,0	0,1	99900	100	5000	2	35,00	0,01
R	500	500,0	0,1	99900	100	7250	2	50,00	0,01
R	700	700,0	0,1	99900	100	10000	2	70,00	0,01
R	1000	1000	1	99000	1000	14500	20	100,0	0,1
R	1500	1500	1	99000	1000	21700	20	150,0	0,1
R	2000	2000	1	99000	1000	29000	20	200,0	0,1
R	2500	2500	1	99000	1000	36250	20	250,0	0,1
R	3000	3000	1	99000	1000	43500	20	300,0	0,1

⁽¹⁾ R = Relative V = Vacuum**Purchase codes:**

TPGE	Full Scale				OPTION
	0B1	5B	250B	1KB5	S = RS232C
	0B2	10B	350B	2KB	
	0B5	20B	500B	2KB5 ⁽²⁾	
	1B	50B	700B	3KB ⁽²⁾	
	2B5	100B	1KB		

Exsample: **TPGE 50B S**

TDMMV	Relative VACUUM version
--------------	-------------------------

⁽²⁾ ACCREDIA certification can NOT be performed by LAT n° 93 Laboratory, on request it can be ordered to other Accredited Laboratories.




Dasa-Rägister
EN ISO 9001:2015
IQ-1100-01

ACCREDIA
L'ENTE ITALIANO DI ACCREDITAMENTO

LAT N° 093
Calibration Centre
The products are NOT
covered by accreditation

ATEX 

Production Quality
Assurance Certified n°
TÜV CY 17 ATEX 0205891 Q

41126 Cognento (MODENA) Italy Via Bottego 33/A Tel: +39-(0)59-346441 Fax: +39-(0)59-346437 E-mail: aep@aep.it

In order to improve the technical performances of the product, the company reserves the right to make any change without notice.